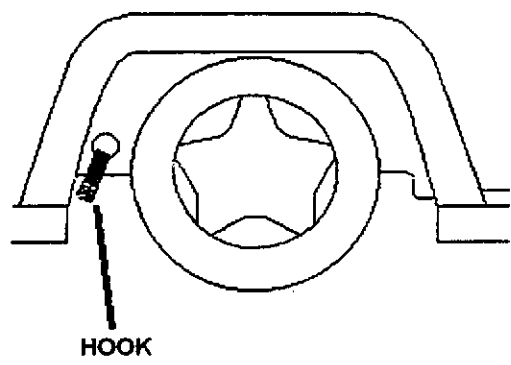


Aztek Tent Assembly Instructions

Warning: Product is not to be used while the engine is running or while the vehicle is in motion. You must wait 20 minutes for the vehicle to cool down in order to prevent severe burns from the exhaust pipe. Put the vehicle in park and engage the parking brake before continuing.

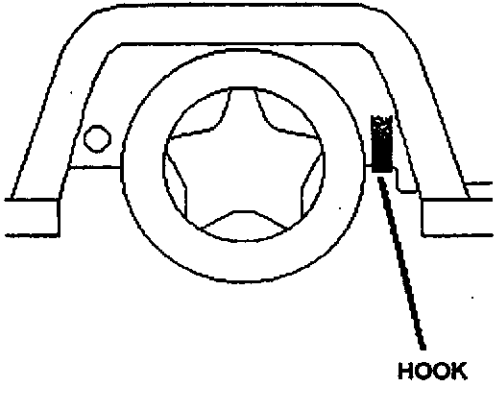
- Remove the tent from the bag, unroll the truck tent, and identify all the components.
 Tent storage bag Pole storage bag
 Tent Fiberglass pole
 Steel stakes
- Open the hatch and lower the tailgate.
- Spread the tent out and uniformly slip the tent over the top of the hatch with the Aztek logo facing towards you. Cover the bumper with the bottom of the tent (away from the exhaust).
- Secure the two hooked, bungee straps (located by the tailgate) to undercarriage of the bumper.

PASSENGER SIDE REAR SHOWN

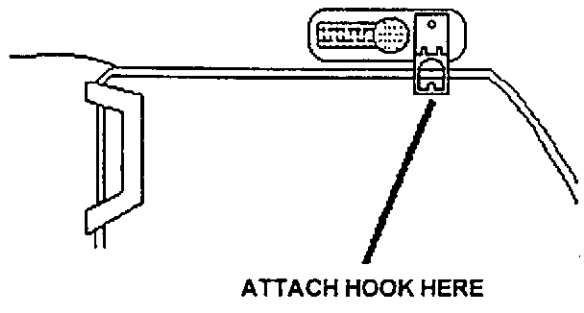


- Secure the two hooked, bungee straps located near the body side molding.

PASSENGER SIDE REAR SHOWN



- Open the rear side doors. Fold both garment hooks down (located near the lighting fixture), attach tent hook (at the location shown below) and close rear side doors.



- Assemble the shock corded fiberglass pole to full length by connecting the nine segments together.
- Take the fiberglass pole and feed it through the nylon sleeve located above the zippered door on the tent.

Note: Do not pull on the shock corded fiberglass pole during installation or it will disjoint and become too long to fit into the pocket. If the pole becomes disjointed, be sure to re-seat the segment before continuing.

- Insert the ends of the pole into the corresponding corner pockets.

Note: Using excessive force when placing the fiberglass pole into the pockets may cause the corner pockets to tear.

- Once the pole is inserted into the sleeve and the corresponding pockets, secure the two hooks onto the pole.
- To disassemble the tent after use, reverse the installation instructions.

For prolonged use and windy conditions, insert the two steel stakes into the ground through the "D" rings and secure. The "D" rings are located on either side of the logo on the tent. Take the other end of the cord and secure to the steel stake.

ALL INFORMATION WITHIN ABOVE BORDER TO BE PRINTED EXACTLY AS SHOWN ON 8.5 x 11 WASTE IS POUND NON-BOND RECYCLABLE PAPER. PRINT ON BOTH SIDES, EXCLUDING TEMPLATES. BE UNFITZED IN ACCORDANCE WITH QMSPO SPECIFICATIONS.	DATE	REVISION	AUTH	DR	TITLE
					INSTALLATION INSTRUCTIONS
					Aztek Tent and Model 31000 Air Bed with Built-In Pump
					PART NO. 12489568
					SHEET 2 OF 2